

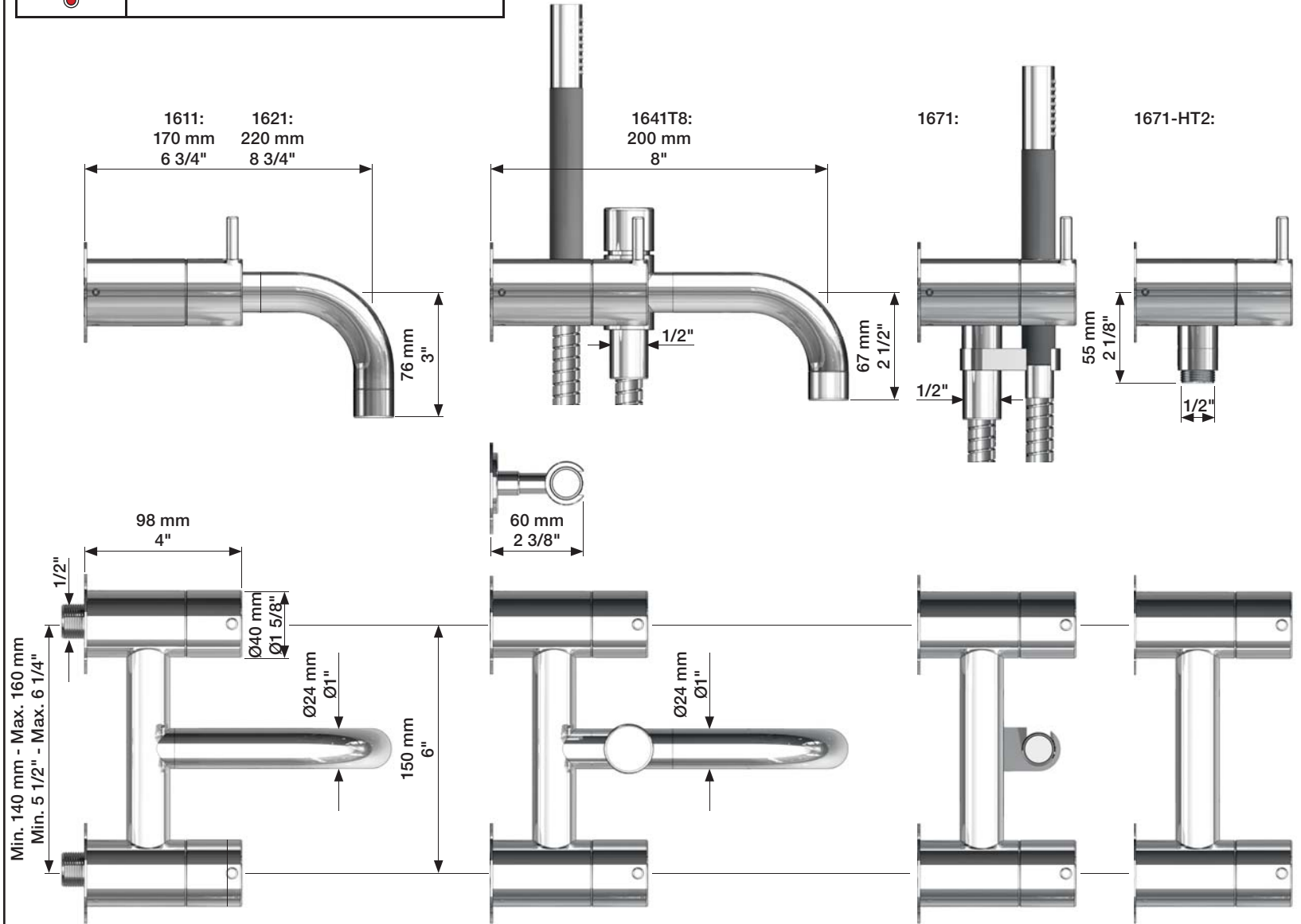
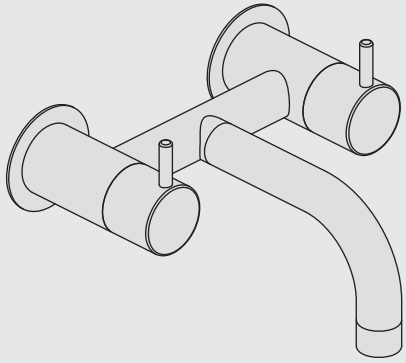
VOLA 1600

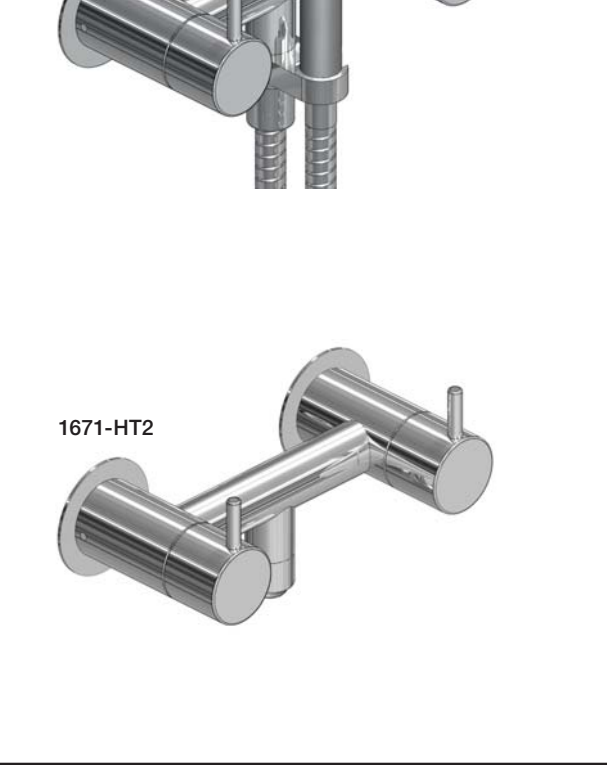
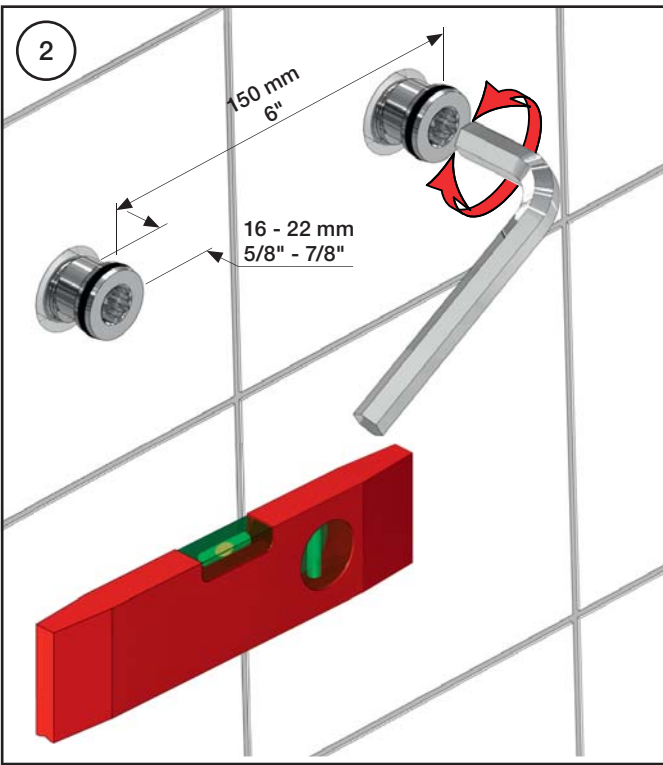
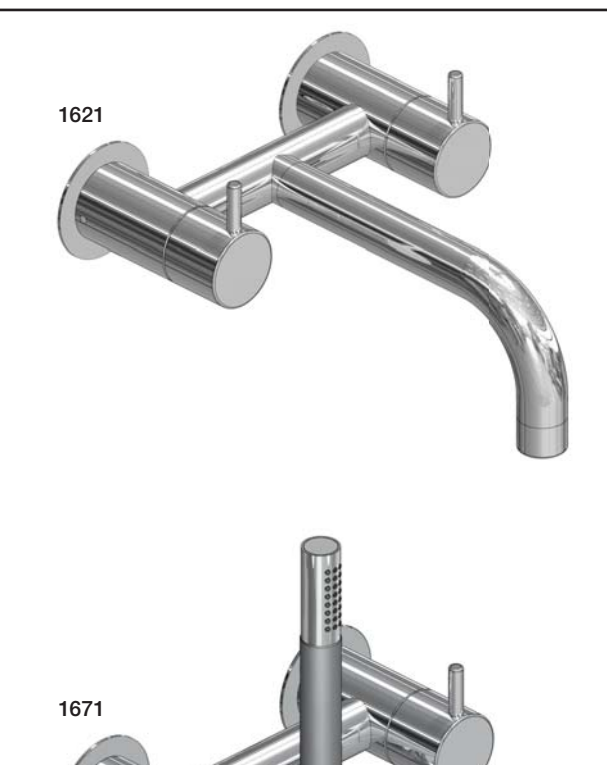
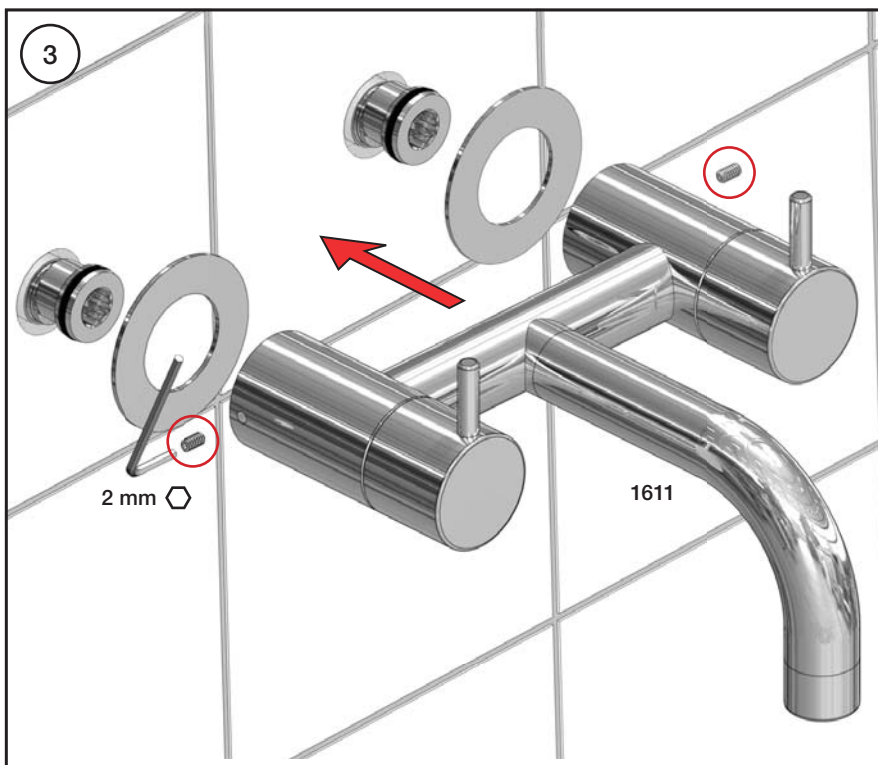
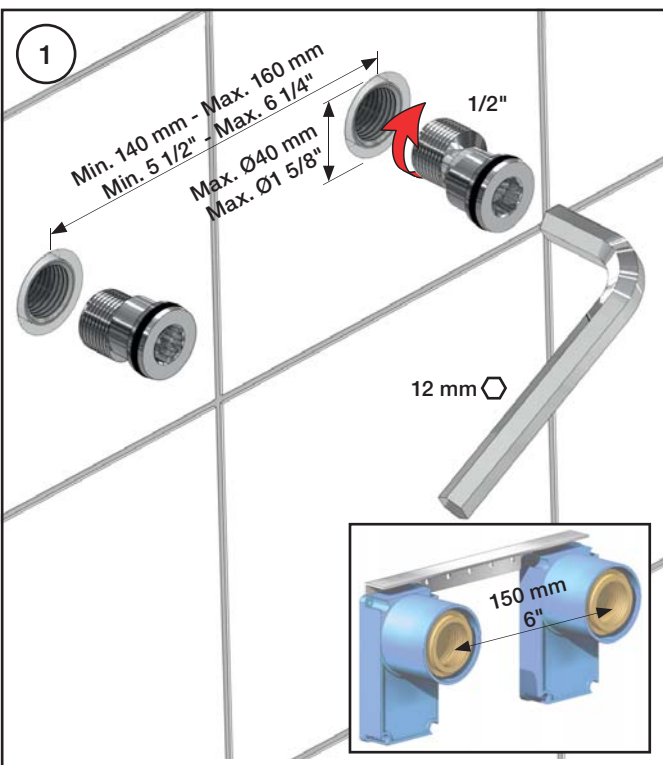
Fitting instruction
 Montageanleitung
 Monteringsvejledning
 Monteringsvægledning
 Montage hanleiding
 Manuel de montage

Data	Bar:	1	2	3	4	5
1611/1621	(l/min)	13.4	18.9	23.2	26.8	30.0
	(Gal/min)	3.5	5.0	6.1	7.1	7.9
1641	(l/min)	11.4	16.2	19.8	22.9	25.6
	(Gal/min)	3.0	4.3	5.3	6.1	6.8
1641 - T2	(l/min)	6.6	9.4	11.5	13.3	14.8
	(Gal/min)	1.74	2.5	3.0	3.5	3.9
1671 - T2	(l/min)	9.9	14.0	17.2	19.9	22.2
	(Gal/min)	2.6	3.7	4.5	5.3	5.9



Max. 65°C. 150°F

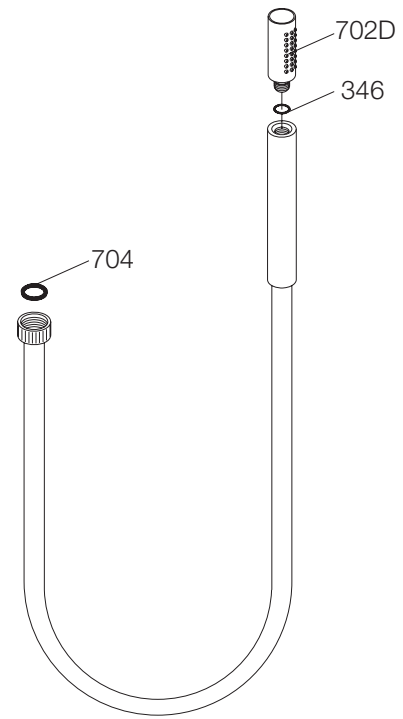
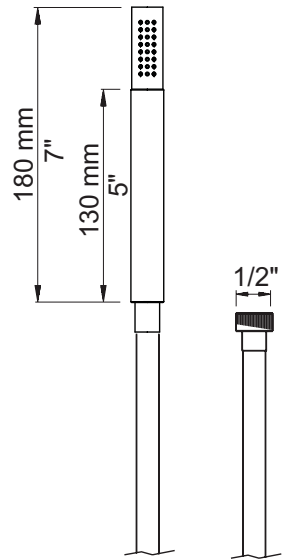




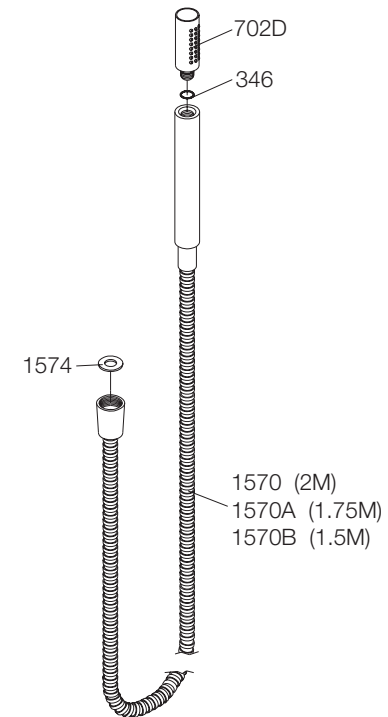
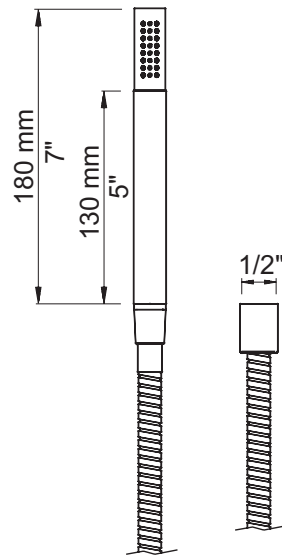
VOLA T2+T2M



VOLA T2



VOLA T2M



VOLA 1611, 1621, 1641T8
 VOLA 1671, 1671-HT2

Fitting instruction
 Montageanleitung
 Monteringsvejledning
 Monteringsvægledning
 Montage hanleiding
 Manuel de montage

Data	Bar:	1	2	3	4	5
1611/1621	(l/min)	13.4	18.9	23.2	26.8	30.0
	(Gal/min)	3.5	5.0	6.1	7.1	7.9
1641	(l/min)	11.4	16.2	19.8	22.9	25.6
	(Gal/min)	3.0	4.3	5.3	6.1	6.8
1641 - T2	(l/min)	6.6	9.4	11.5	13.3	14.8
	(Gal/min)	1.74	2.5	3.0	3.5	3.9
1671 - T2	(l/min)	9.9	14.0	17.2	19.9	22.2
	(Gal/min)	2.6	3.7	4.5	5.3	5.9



Max. 65°C. 150°F

