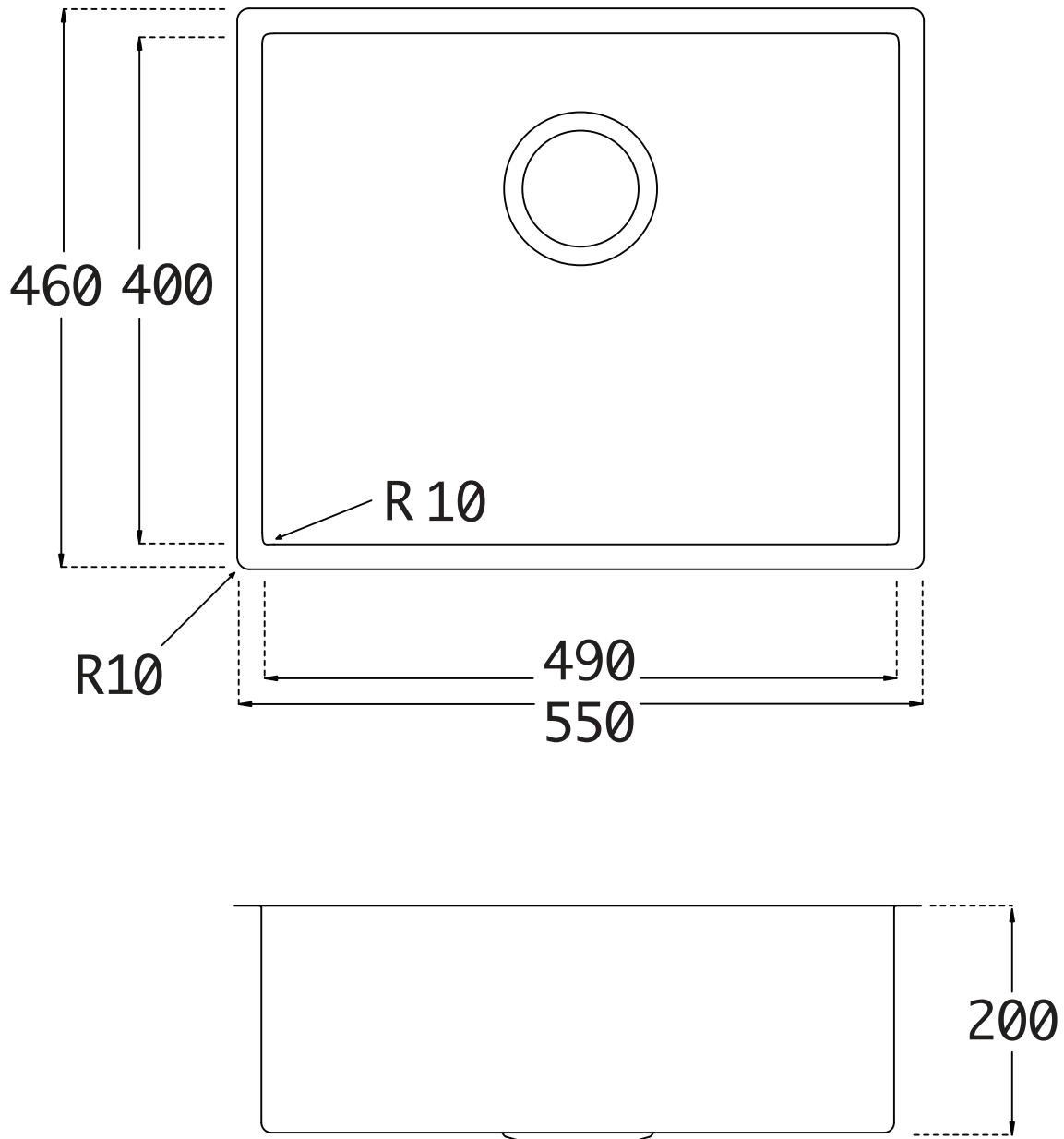


# Jupiter 600 12027



!!! Flange thickness is 12 mm