

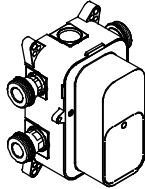
Installationsvejledning
Montageanweisung
Installation instruction
Instructions d'installation
Istruzioni di installazione
Installatie- -instructies
Instrucciones de instalación

damixa

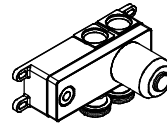
Østbirkvej 2, 5240 Odense NØ, Denmark
 Tel. +45 88 330 034
 E-mail: damixa@fmm-mora.com
 Homepage: www.damixa.com

01.19

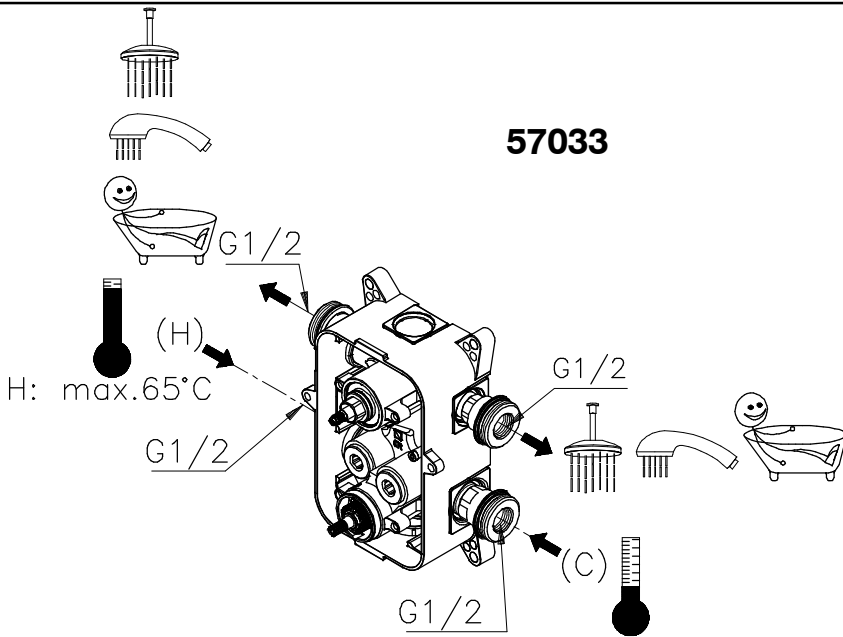
20224.00



57033



47043



57033

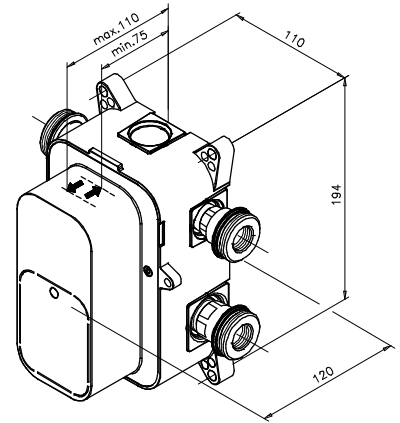
H: max. 65°C

G1/2

G1/2

(C)

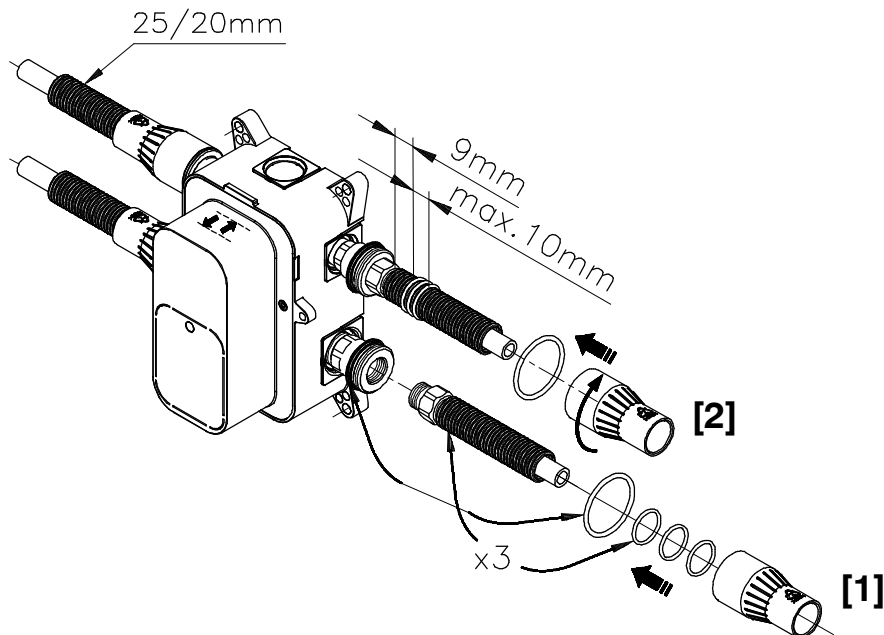
G1/2



A

H,C: 120–600Kpa(1.2–6 bar)

B



25/20mm

9mm

max. 10mm

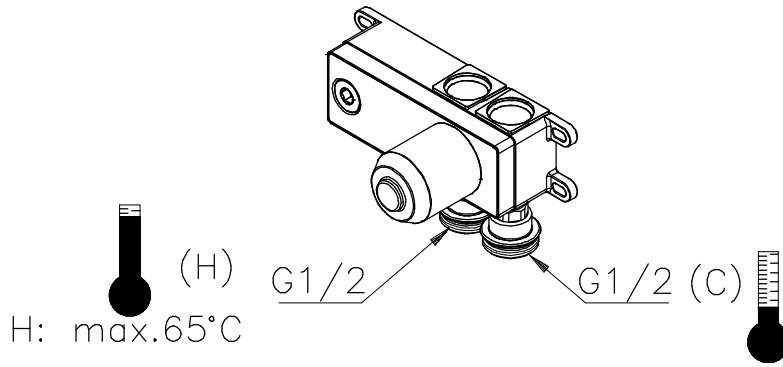
[2]

x3

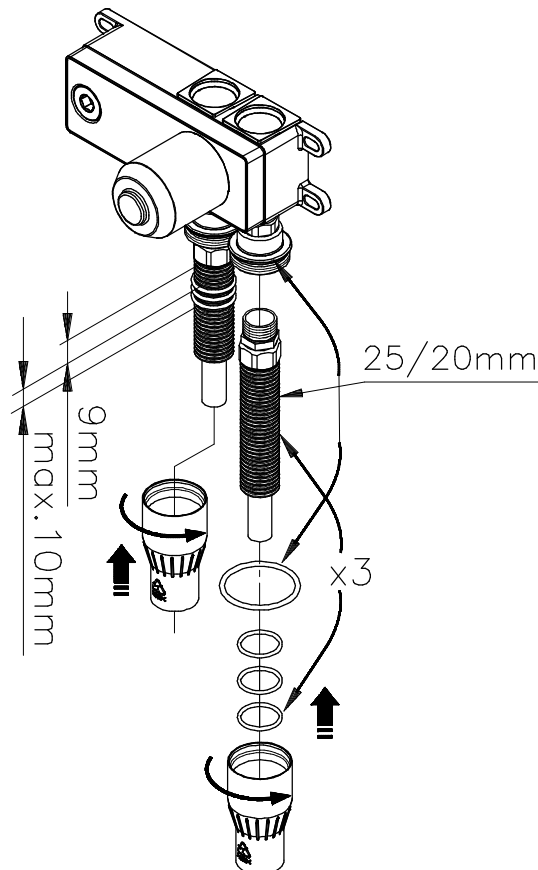
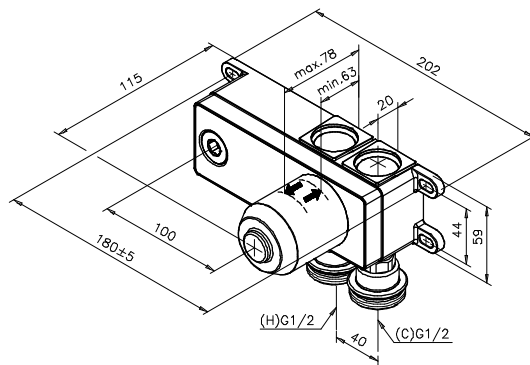
[1]

C

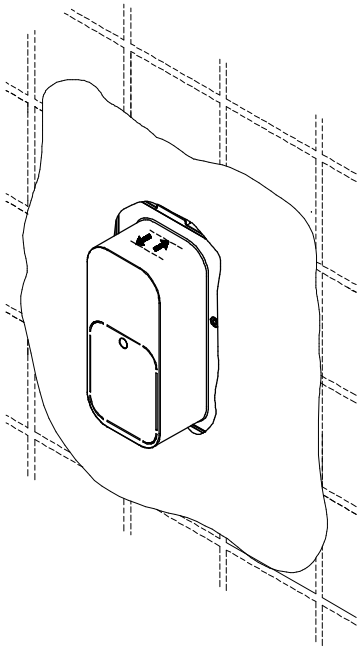
47043



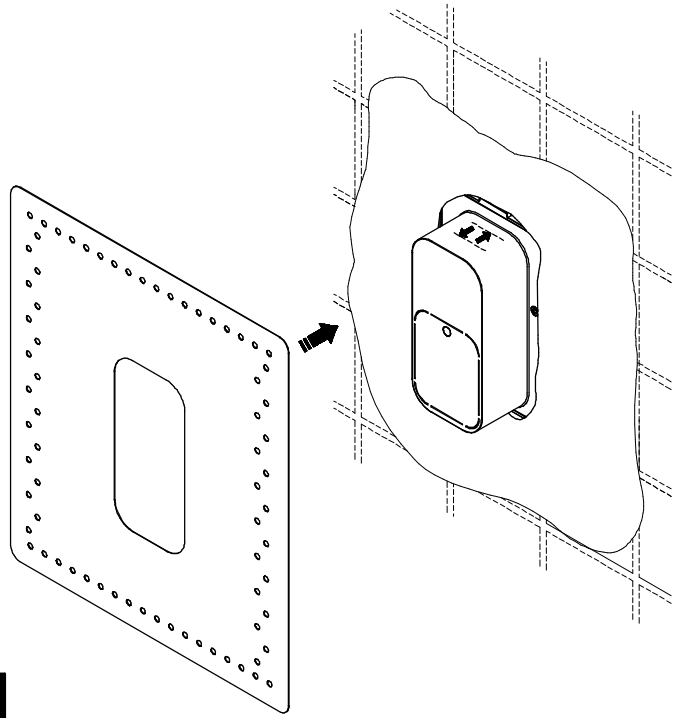
H,C: 120–600Kpa(1.2–6 bar)



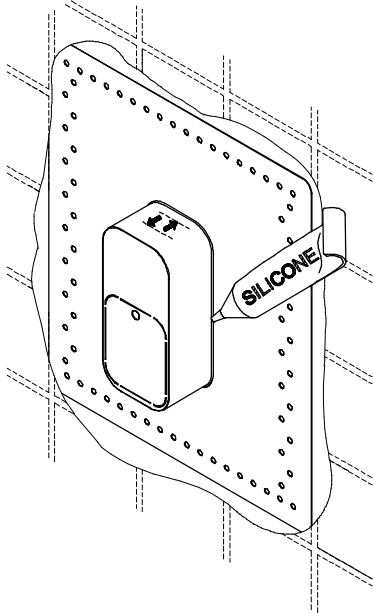
2(3)



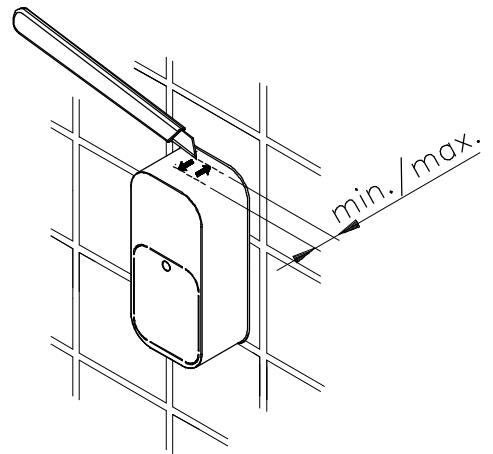
G



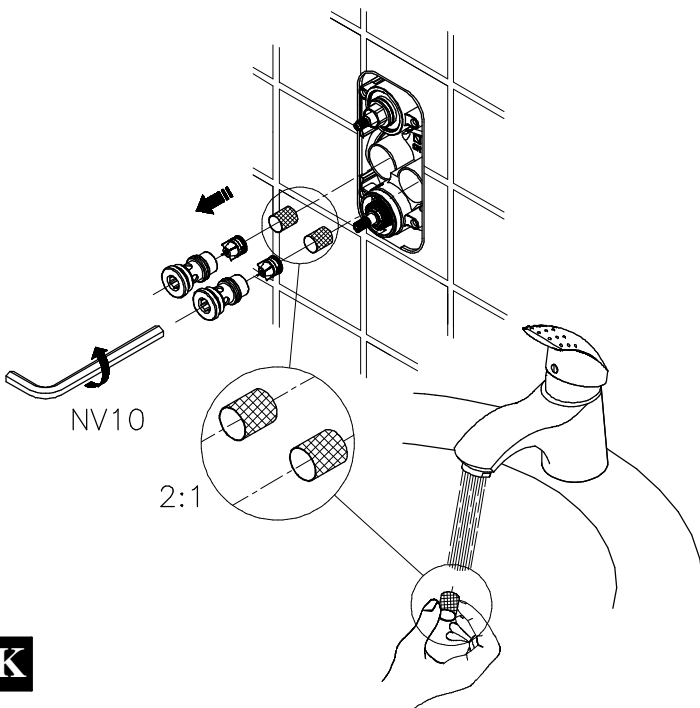
H



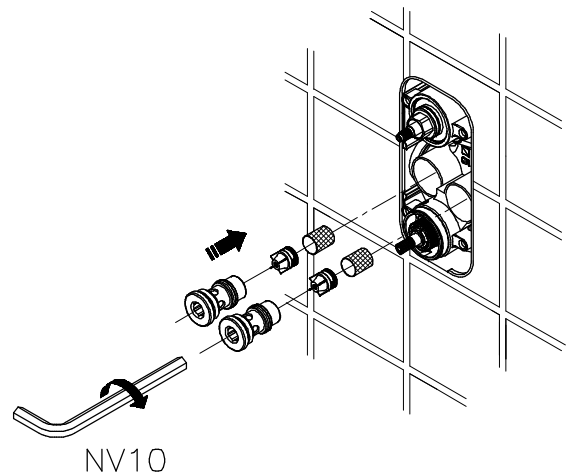
I



J



K



L