

SimFlex 25-40

SimFlex 15-40
SimFlex 25-40
SimFlex 32-40

Ix230 V, 50Hz, IEC38	PI [W]	I [A]
Auto min.	4,00	0,05
Auto max.	23,1	0,23
Speed I - 4	6,9 - 23,5	0,084 - 0,263

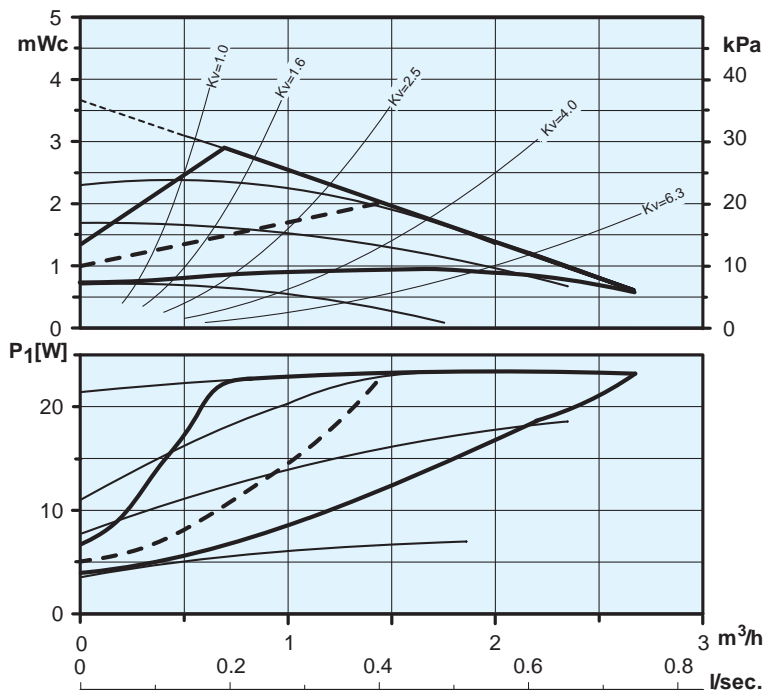
Temperature Range (TF 95 - CEN 335-2-51)

Water temp max. [°C]	95	-
Water temp min. [°C]	2	-
Ambient temp max. [°C]	40	-

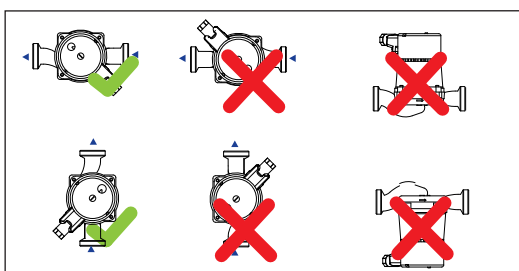
NPSH [bar]	80°C - 0,5	95°C - 1,5
Kg. (net)	2,8	

Model	H(mm)	G	RP
15-40*	130	1"	½"
25-40	130/180	1½"	1"
32-40	130/180	2"	1¼"

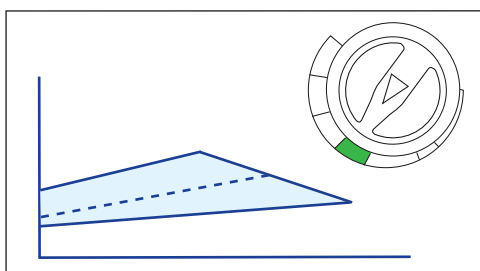
*Max flow slightly reduced



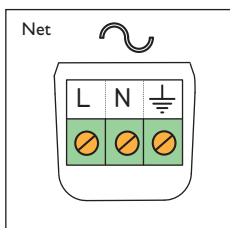
Installation



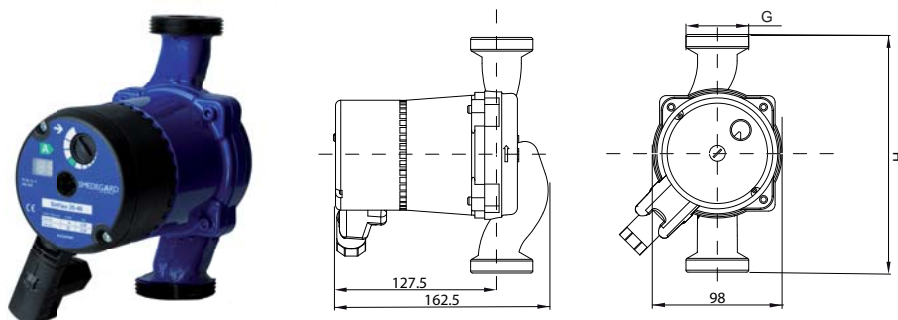
Settings



Electrical connection



Dimensions



Smedegaard reserve the right to change the product without prior notice and take no responsibility for inaccuracies or misprints.